

20 x 10 MM OVAL TELECOM SPEAKER



Mylar cone with plastic housing -

Enhancement on human voice performance -

Suitable for telecom devices -

Flexibility with wire assembly and EVA sticker -

Key Specification

8Ω 0.7W

NdFeB magnet

Mylar cone

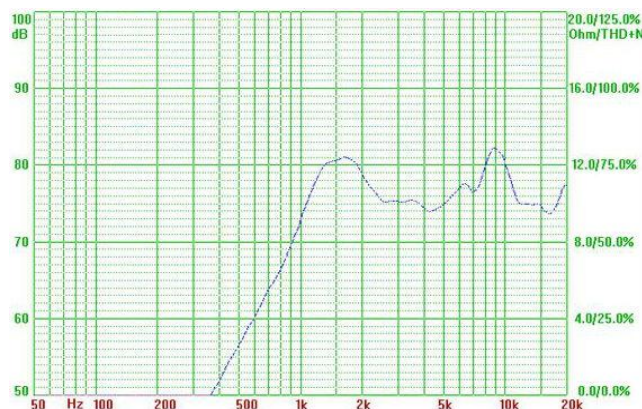
Dimensions

Ø 20 x 10 mm

Net Weight

1.1g

* above photo is for reference only



SPECIFICATIONS

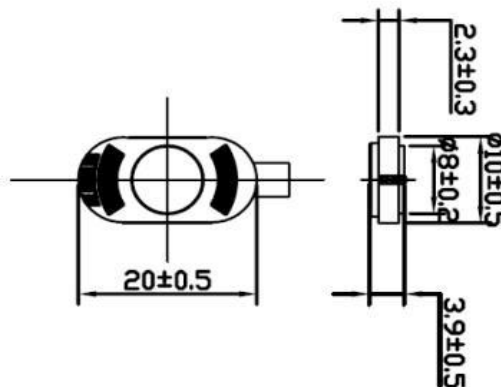
Outer Size	20 x 10 mm
Maximum Height	3.9mm
V.C. Size	Ø 6.8mm
Impedance	8Ω
Resonant Frequency	1360Hz
Frequency Response	Fo - 20kHz
Output S.P.L.	74dB
Input Power	0.7W / Max 1.0W
Cone Type	Mylar
Net Weight	1.1g

MAGNET

Materials:	NdFeB
Size:	Ø 6 x 1.2 mm

TEST CONDITION

Operation Test	2.36V Sine Wave
Buzzes & Rattles	2.36V Sine Wave Peak
Heat Test	55±2°C 48hrs
Cold Test	-25±2°C 48hrs
Humidity Test	40±2°C R.H.90-95% 48hrs
Load Test	Pink Noise 0.7W 48hrs
Distortion	10% Max



WING CHEONG ELECTRICAL CO., LTD.

Room 1314, Block A, Hoi Luen Ind. Ctr.
55 Hoi Yuen Road, Kwun Tong,
Kowloon, Hong Kong
Tel: (852) 3465 7633 Fax: (852) 2385 6988
Website: www.wingcheong.com
Email: sales@wingcheong.com

© 2014 Wing Cheong Electrical Company Limited. All rights reserved. All specifications and other information shown were current as of document revision and are subject to change without notice.