

20MM TELECOM SPEAKER

Mylar cone with metal frame -

Enhancement on human voice performance -

Suitable for telecom devices -

Ultra light design with high output -



* above photo is for reference only

Key Specification

32Ω 0.2W

NdFeB magnet

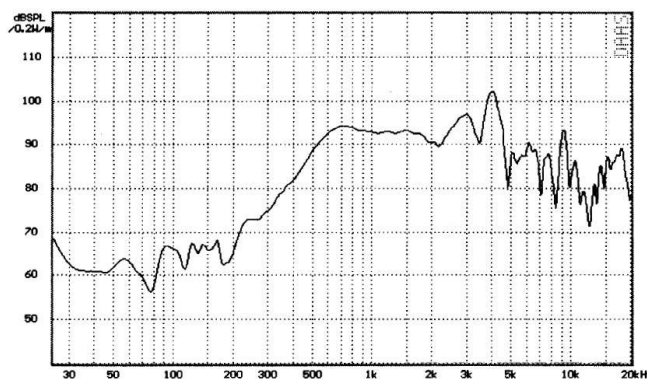
Mylar cone

Dimensions

∅ 20 x 3 mm

Net Weight

2.3g



SPECIFICATIONS

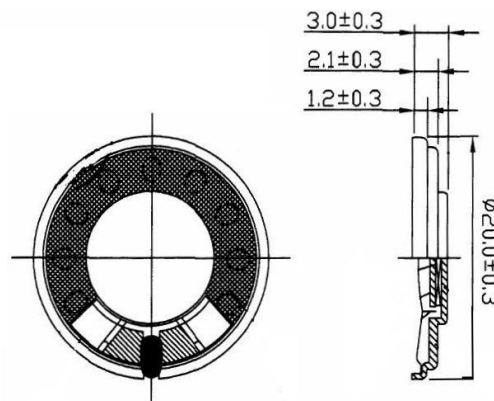
Outer Size	∅ 20mm
Maximum Height	3mm
V.C. Size	∅ 8.7mm
Impedance	32Ω
Resonant Frequency	680Hz
Frequency Response	Fo - 7kHz
Output S.P.L.	93dB
Input Power	0.2W / Max 0.3W
Cone Type	Mylar
Net Weight	2.3g

MAGNET

Materials:	NdFeB
Size:	∅ 8 x 1 mm

TEST CONDITION

Operation Test	1.26V Sine Wave
Buzzes & Rattles	1.26V Sine Wave Peak
Heat Test	65±2°C 96hrs
Cold Test	-40±2°C 96hrs
Humidity Test	25±2°C R.H.90-95% 96hrs
Load Test	White Noise 0.2W 96hrs
Distortion	5% Max



WING CHEONG ELECTRICAL CO., LTD.

Room 1314, Block A, Hoi Luen Ind. Ctr.
55 Hoi Yuen Road, Kwun Tong,
Kowloon, Hong Kong
Tel: (852) 3465 7633 Fax: (852) 2385 6988
Website: www.wingcheong.com
Email: sales@wingcheong.com

© 2014 Wing Cheong Electrical Company Limited. All rights reserved. All specifications and other information shown were current as of document revision and are subject to change without notice.