

28MM TELECOM SPEAKER

Water resistant cone with metal frame -

Enhancement on human voice performance -

Suitable for telecom devices -

Flexibility with cable assembly -



* above photo is for reference only

Key Specification

8Ω 0.5W

NdFeB magnet

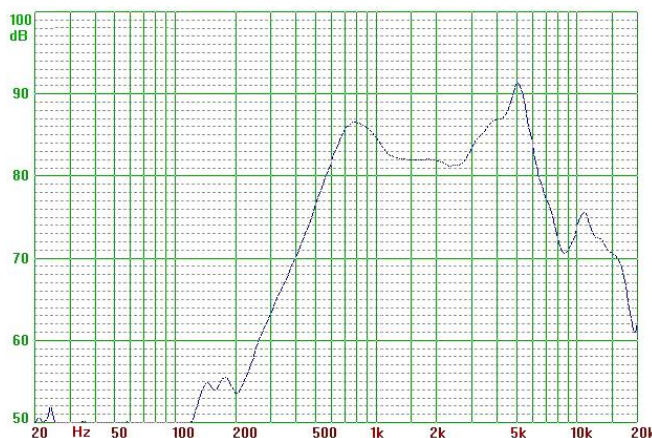
Mylar cone

Dimensions

Ø 28 x 4.9 mm

Net Weight

6g



SPECIFICATIONS

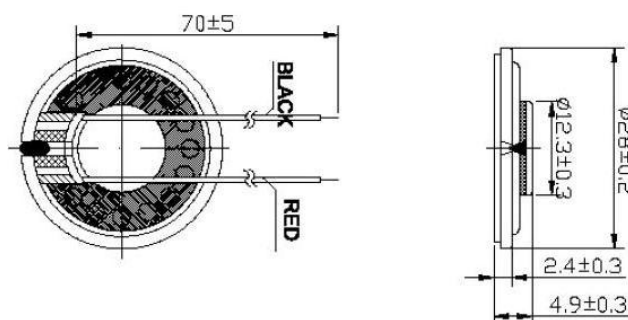
Outer Size	Ø 28mm
Maximum Height	4.9mm
V.C. Size	Ø 10.4 mm
Impedance	8Ω
Resonant Frequency	660Hz
Frequency Response	Fo - 8kHz
Output S.P.L.	84dB
Input Power	0.5W / Max 1W
Cone Type	Mylar
Net Weight	6g

MAGNET

Materials:	NdFeB
Size:	Ø 9.5 x 1.5 mm

TEST CONDITION

Operation Test	2V Sine Wave
Buzzes & Rattles	2V Sine Wave Peak
Heat Test	55±2°C 48hrs
Cold Test	-25±2°C 48hrs
Humidity Test	40±2°C R.H.90-95% 48hrs
Load Test	White Noise 0.5W 48hrs
Distortion	10% Max



WING CHEONG ELECTRICAL CO., LTD.

Room 1314, Block A, Hoi Luen Ind. Ctr.
55 Hoi Yuen Road, Kwun Tong,
Kowloon, Hong Kong
Tel: (852) 3465 7633 Fax: (852) 2385 6988
Website: www.wingcheong.com
Email: sales@wingcheong.com

© 2014 Wing Cheong Electrical Company Limited. All rights reserved. All specifications and other information shown were current as of document revision and are subject to change without notice.