

40MM TELECOM SPEAKER

Mylar cone with metal frame -

Enhancement on human voice performance -

Suitable for telecom devices -

Adaption to extreme environment -



* above photo is for reference only

Key Specification

8Ω 1W

NdFeB magnet

Mylar cone

Dimensions

Ø 40 x 12 mm

Net Weight

14g



SPECIFICATIONS

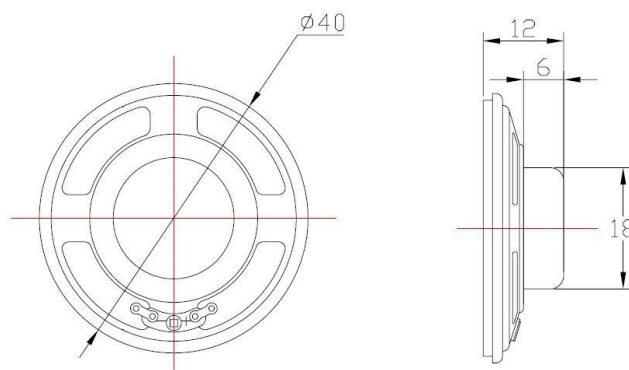
Outer Size	Ø 40mm
Maximum Height	12mm
V.C. Size	Ø 13.28mm
Impedance	8Ω
Resonant Frequency	850Hz
Frequency Response	Fo - 4kHz
Output S.P.L.	84dB
Input Power	1W / Max 2W
Cone Type	Mylar
Net Weight	14g

MAGNET

Materials:	NdFeB
Size:	Ø 12.5 x 4 mm

TEST CONDITION

Operation Test	2.83V Sine Wave
Buzzes & Rattles	2.83V Sine Wave Peak
Heat Test	55±2°C 48hrs
Cold Test	-25±2°C 48hrs
Humidity Test	40±2°C R.H.90-95% 48hrs
Load Test	Pink Noise 1W 48hrs
Distortion	-



WING CHEONG ELECTRICAL CO., LTD.

Room 1314, Block A, Hoi Luen Ind. Ctr.
55 Hoi Yuen Road, Kwun Tong,
Kowloon, Hong Kong
Tel: (852) 3465 7633 Fax: (852) 2385 6988
Website: www.wingcheong.com
Email: sales@wingcheong.com

© 2014 Wing Cheong Electrical Company Limited. All rights reserved. All specifications and other information shown were current as of document revision and are subject to change without notice.