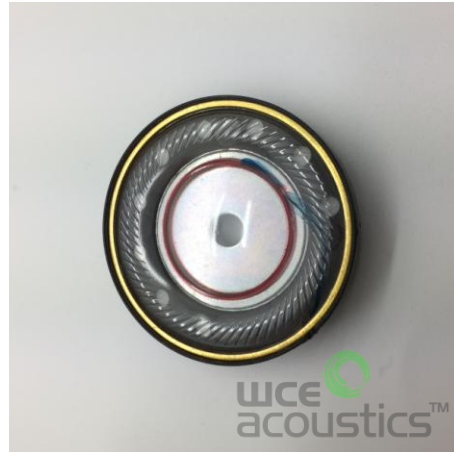


40MM HEADPHONE SPEAKER



* above photo is for reference only

PET cone with plastic frame -

Rich sonority of the bass -

Clear of the mediant and trebel-

Key Specification

32Ω 10mW

NdFeB magnet

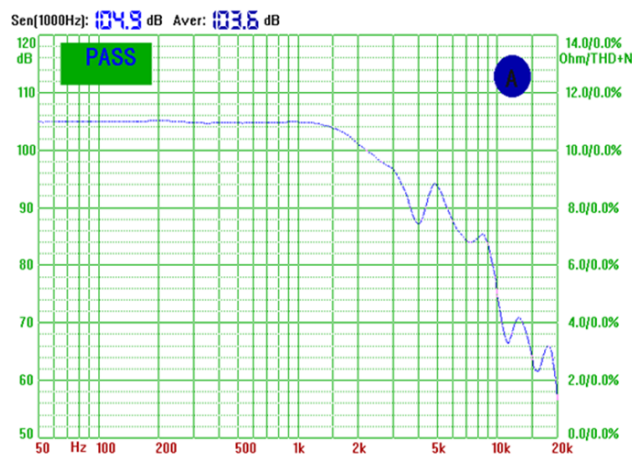
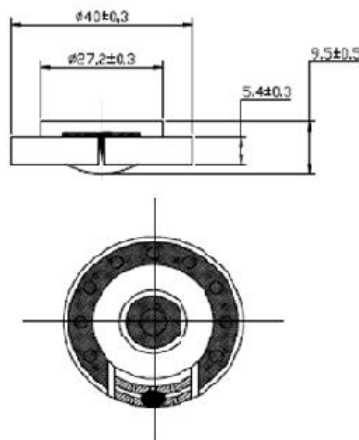
PET cone

Dimensions

Ø 40 x 9.5 mm

Net Weight

18g



SPECIFICATIONS

Outer Size	Ø 40mm
Maximum Height	9.5mm
V.C. Size	Ø 20.4mm
Impedance	32Ω
Resonant Frequency	120Hz
Frequency Response	Fo - kHz
Output S.P.L.	103dB
Input Power	10m W / Max 20mW
Cone Type	PET
Net Weight	18g

MAGNET

Materials:	NdFeB
Size:	Ø 19.5 mm

TEST CONDITION

Operation Test	0.56V Sine Wave
Buzzes & Rattles	0.56V Sine Wave Peak
Heat Test	55±2°C 96hrs
Cold Test	-25±2°C 96hrs
Humidity Test	40±2°C R.H.90-95% 96hrs
Load Test	White Noise 10mW 48hrs
Distortion	10% Max

WING CHEONG ELECTRICAL CO., LTD.

Room 1314, Block A, Hoi Luen Ind. Ctr.
55 Hoi Yuen Road, Kwun Tong,
Kowloon, Hong Kong
Tel: (852) 3465 7633 Fax: (852) 2385 6988
Website: www.wingcheong.com
Email: sales@wingcheong.com

© 2014 Wing Cheong Electrical Company Limited. All rights reserved. All specifications and other information shown were current as of document revision and are subject to change without notice.