

50MM TELECOM SPEAKER

Paper cone with metal frame -

Enhancement on human voice performance -

Suitable for telecom devices -

Most popular design with competitive price -



* above photo is for reference only

Key Specification

45Ω 0.2W

NdFeB magnet

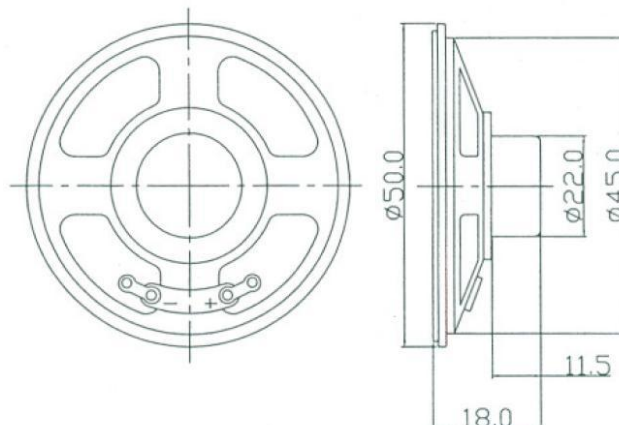
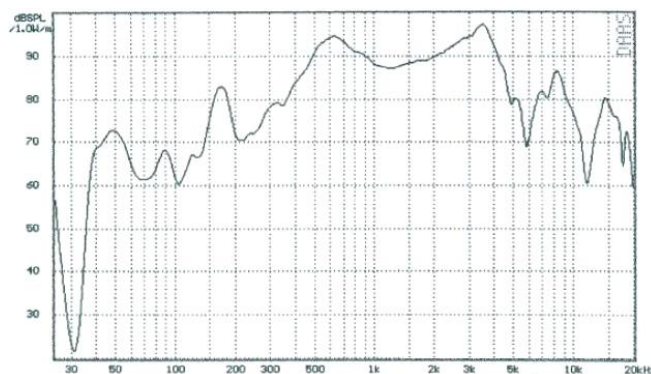
Paper cone

Dimensions

Ø 45 x 18 mm

Net Weight

32g



SPECIFICATIONS

Outer Size	Ø 50mm
Maximum Height	18mm
V.C. Size	Ø 13mm
Impedance	45Ω
Resonant Frequency	420Hz
Frequency Response	Fo - 4kHz
Output S.P.L.	81dB
Input Power	0.2W / Max 0.5W
Cone Type	Paper
Net Weight	32g

MAGNET

Materials:	NdFeB
Size:	Ø 13 x 10 mm

TEST CONDITION

Operation Test	3V Sine Wave
Buzzes & Rattles	3V Sine Wave Peak
Heat Test	70±2°C 4hrs
Cold Test	-
Humidity Test	40±2°C R.H.90-95% 4hrs
Load Test	White Noise 0.2W 24hrs
Distortion	5% Max

WING CHEONG ELECTRICAL CO., LTD.

Room 1314, Block A, Hoi Luen Ind. Ctr.
55 Hoi Yuen Road, Kwun Tong,
Kowloon, Hong Kong
Tel: (852) 3465 7633 Fax: (852) 2385 6988
Website: www.wingcheong.com
Email: sales@wingcheong.com

© 2014 Wing Cheong Electrical Company Limited. All rights reserved. All specifications and other information shown were current as of document revision and are subject to change without notice.