

50MM TELECOM SPEAKER

Paper cone with metal frame -

Enhancement on human voice performance -

Suitable for telecom devices -

Most popular design with competitive price -



* above photo is for reference only

Key Specification

45Ω 0.2W

Ferrite magnet

Paper cone

Dimensions

Ø 50 x 17 mm

Net Weight

51g



SPECIFICATIONS

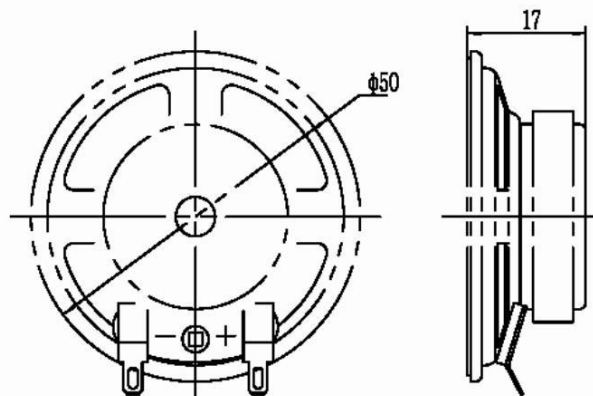
Outer Size	Ø 50mm
Maximum Height	17mm
V.C. Size	Ø 13.28 mm
Impedance	45Ω
Resonant Frequency	500Hz
Frequency Response	Fo - 4kHz
Output S.P.L.	90dB
Input Power	0.2W / Max 1W
Cone Type	Paper
Net Weight	51g

MAGNET

Materials:	Ferrite
Size:	Ø 32 x 18 x 6 mm

TEST CONDITION

Operation Test	3V Sine Wave
Buzzes & Rattles	3V Sine Wave Peak
Heat Test	55±2°C 48hrs
Cold Test	-25±2°C 48hrs
Humidity Test	40±2°C R.H.90-95% 48hrs
Load Test	Pink Noise 0.2W 48hrs
Distortion	-



WING CHEONG ELECTRICAL CO., LTD.

Room 1314, Block A, Hoi Luen Ind. Ctr.
55 Hoi Yuen Road, Kwun Tong,
Kowloon, Hong Kong
Tel: (852) 3465 7633 Fax: (852) 2385 6988
Website: www.wingcheong.com
Email: sales@wingcheong.com

© 2014 Wing Cheong Electrical Company Limited. All rights reserved. All specifications and other information shown were current as of document revision and are subject to change without notice.