

57MM SECURITY / ALARM SPEAKER



Water resistant cone with metal frame -

Strong output from 2kHz~20kHz -

Suitable for security / alarm system -

Adaption to extreme environment -

Key Specification

8Ω 0.25W

Ferrite magnet

Mylar cone

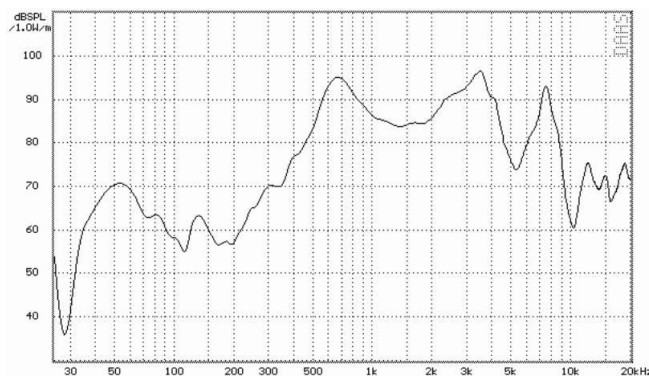
Dimensions

Ø 57 x 18.3 mm

Net Weight

49g

* above photo is for reference only



SPECIFICATIONS

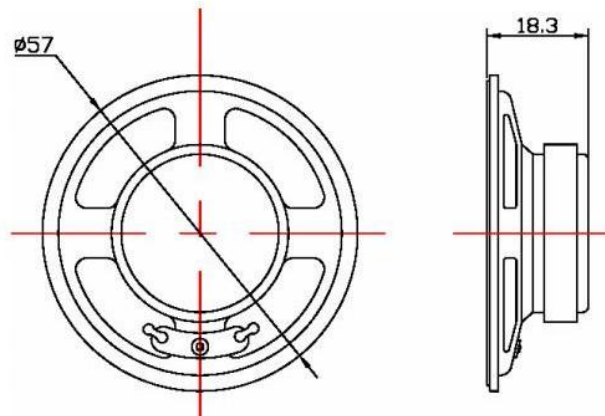
| | |
|--------------------|----------------|
| Outer Size | Ø 57mm |
| Maximum Height | 18.3mm |
| V.C. Size | Ø 13.28mm |
| Impedance | 8Ω |
| Resonant Frequency | 550Hz |
| Frequency Response | Fo - 4kHz |
| Output S.P.L. | 85dB |
| Input Power | 0.25W / Max 1W |
| Cone Type | Mylar |
| Net Weight | 49g |

MAGNET

| | |
|------------|------------------|
| Materials: | Ferrite |
| Size: | Ø 36 x 18 x 6 mm |

TEST CONDITION

| | |
|------------------|-------------------------|
| Operation Test | 1.41V Sine Wave |
| Buzzes & Rattles | 1.41V Sine Wave Peak |
| Heat Test | 55±2°C 48hrs |
| Cold Test | -25±2°C 48hrs |
| Humidity Test | 40±2°C R.H.90-95% 48hrs |
| Load Test | Pink Noise 0.25W 48hrs |
| Distortion | - |



WING CHEONG ELECTRICAL CO., LTD.

Room 1314, Block A, Hoi Luen Ind. Ctr.

55 Hoi Yuen Road, Kwun Tong,

Kowloon, Hong Kong

Tel: (852) 3465 7633 Fax: (852) 2385 6988

Website: www.wingcheong.com

Email: sales@wingcheong.com

© 2014 Wing Cheong Electrical Company Limited. All rights reserved. All specifications and other information shown were current as of document revision and are subject to change without notice.