

## 66MM SECURITY / ALARM SPEAKER



Water resistant cone with metal frame -

Strong output from 2kHz~20kHz -

Suitable for security / alarm system -

High power driver -

### Key Specification

8Ω 10W

Ferrite magnet

Mylar cone

### Dimensions

Ø 66 x 28.5 mm

### Net Weight

117g

\* above photo is for reference only



### SPECIFICATIONS

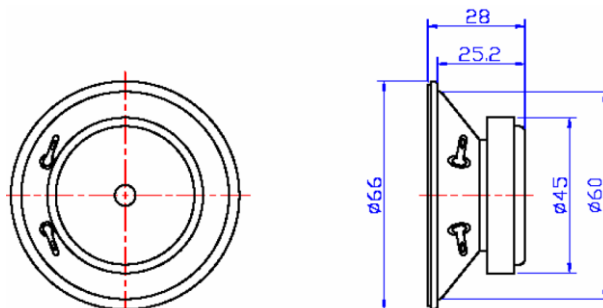
Outer Size	Ø 66mm
Maximum Height	28.5mm
V.C. Size	Ø 13.28mm
Impedance	8Ω
Resonant Frequency	1350Hz
Frequency Response	Fo - 15kHz
Output S.P.L.	94dB
Input Power	5W / Max 10W
Cone Type	Mylar
Net Weight	117g

### MAGNET

Materials:	Ferrite
Size:	Ø 45 x 22 x 8 mm

### TEST CONDITION

Operation Test	6.3V Sine Wave
Buzzes & Rattles	6.3V Sine Wave Peak
Heat Test	55±2°C 48hrs
Cold Test	-25±2°C 48hrs
Humidity Test	40±2°C R.H.90-95% 48hrs
Load Test	White Noise 5W 48hrs
Distortion	-



WING CHEONG ELECTRICAL CO., LTD.

Room 1314, Block A, Hoi Luen Ind. Ctr.  
55 Hoi Yuen Road, Kwun Tong,  
Kowloon, Hong Kong  
Tel: (852) 3465 7633 Fax: (852) 2385 6988  
Website: www.wingcheong.com  
Email: sales@wingcheong.com

© 2014 Wing Cheong Electrical Company Limited. All rights reserved. All specifications and other information shown were current as of document revision and are subject to change without notice.