

## 66MM TELECOM SPEAKER

*Paper cone with metal frame -*

*Enhancement on human voice performance -*

*Suitable for fixed telecom devices -*

*Most popular design with competitive price -*



\* above photo is for reference only

### Key Specification

50Ω 0.25W

NdFeB magnet

Paper cone

### Dimensions

Ø 66 x 20.5 mm

### Net Weight

40g



### SPECIFICATIONS

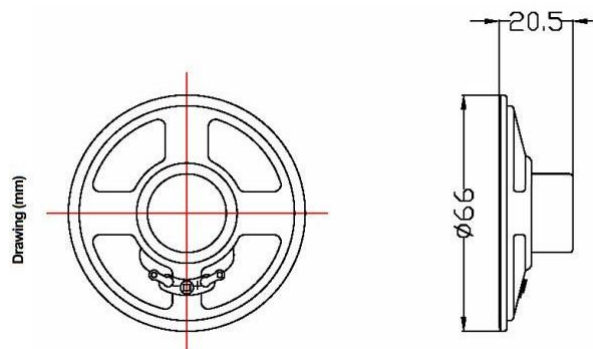
Outer Size	Ø 66mm
Maximum Height	20.5mm
V.C. Size	Ø 13.28mm
Impedance	50Ω
Resonant Frequency	300Hz
Frequency Response	Fo - 4kHz
Output S.P.L.	91dB
Input Power	0.25W / Max 0.5W
Cone Type	Paper
Net Weight	40g

### MAGNET

Materials:	Alnico
Size:	Ø 12.5 x 2.5 mm

### TEST CONDITION

Operation Test	3.54V Sine Wave
Buzzes & Rattles	3.54V Sine Wave Peak
Heat Test	70±2°C 4hrs
Cold Test	-
Humidity Test	40±2°C R.H.90-95% 4hrs
Load Test	White Noise 0.25W 24hrs
Distortion	-



WING CHEONG ELECTRICAL CO., LTD.

Room 1314, Block A, Hoi Luen Ind. Ctr.  
55 Hoi Yuen Road, Kwun Tong,  
Kowloon, Hong Kong  
Tel: (852) 3465 7633 Fax: (852) 2385 6988  
Website: www.wingcheong.com  
Email: sales@wingcheong.com

© 2014 Wing Cheong Electrical Company Limited. All rights reserved. All specifications and other information shown were current as of document revision and are subject to change without notice.