

70MM MULTIMEDIA SPEAKER



Paper cone with metal frame -

Full range audio speaker -

Suitable for audio entertainment system -

Competitive price with strong output -

Key Specification

4Ω 3W

Ferrite magnet

Paper cone

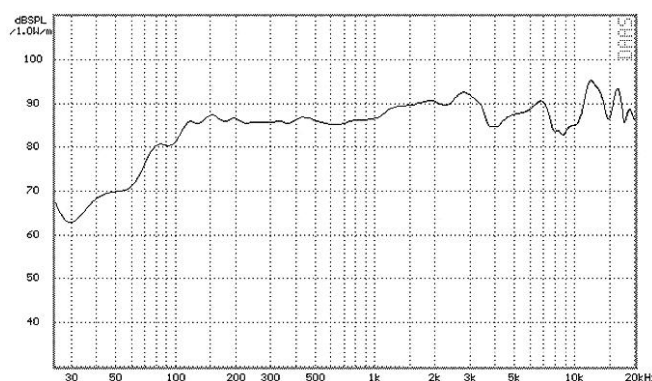
Dimensions

Ø 70 x 34.2 mm

Net Weight

170g

** above photo is for reference only*



SPECIFICATIONS

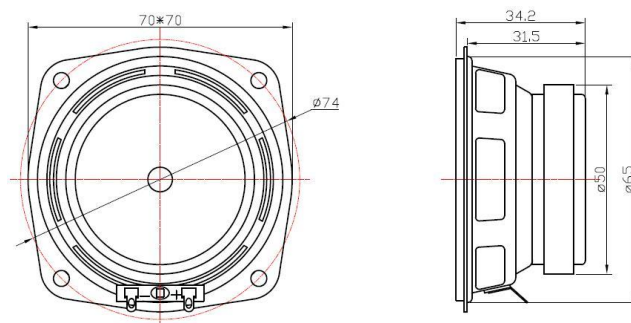
Outer Size	Ø 70 mm
Maximum Height	34.2mm
V.C. Size	Ø 14.28mm
Impedance	4Ω
Resonant Frequency	115Hz
Frequency Response	Fo - 10kHz
Output S.P.L.	87dB
Input Power	3W / Max 5W
Cone Type	Paper
Net Weight	170g

MAGNET

Materials:	Ferrite
Size:	Ø 50 x 22 x 8 mm

TEST CONDITION

Operation Test	2.5V Sine Wave
Buzzes & Rattles	3.5V Sine Wave Peak
Heat Test	55±2°C 48hrs
Cold Test	-25±2°C 48hrs
Humidity Test	40±2°C R.H.90-95% 48hrs
Load Test	Pink Noise 3W 48hrs
Distortion	-



WING CHEONG ELECTRICAL CO., LTD.

Room 1314, Block A, Hoi Luen Ind. Ctr.
55 Hoi Yuen Road, Kwun Tong,
Kowloon, Hong Kong
Tel: (852) 3465 7633 Fax: (852) 2385 6988
Website: www.wingcheong.com
Email: sales@wingcheong.com

© 2014 Wing Cheong Electrical Company Limited. All rights reserved. All specifications and other information shown were current as of document revision and are subject to change without notice.