

88MM SECURITY / ALARM SPEAKER



Water resistant cone with metal frame -

Strong output from 900Hz~3kHz -

Suitable for security / alarm system -

High power driver with competitive price -

Key Specification

16Ω 8W

Ferrite magnet

Mylar cone

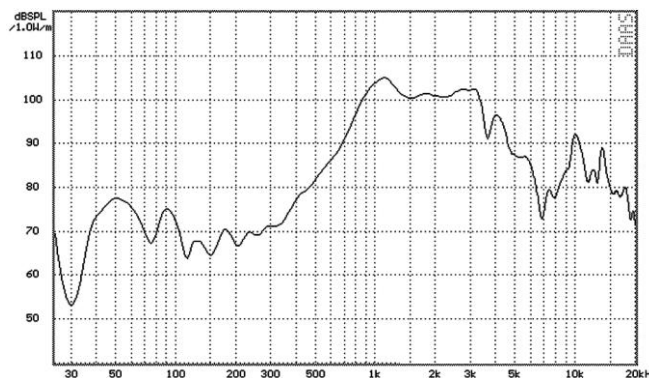
Dimensions

Ø 86 x 29 mm

Net Weight

219g

* above photo is for reference only



SPECIFICATIONS

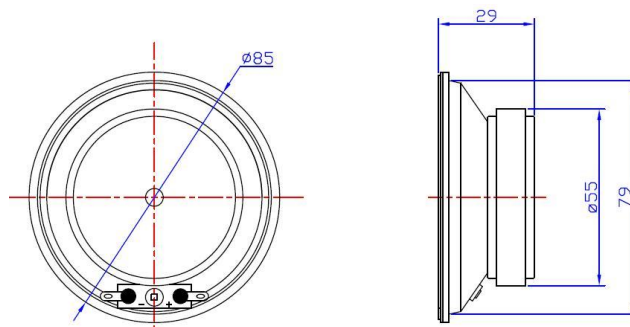
Outer Size	Ø 86mm
Maximum Height	29mm
V.C. Size	Ø 20.4mm
Impedance	16Ω
Resonant Frequency	1000Hz
Frequency Response	Fo - 3kHz
Output S.P.L.	100dB
Input Power	8W / Max 10W
Cone Type	Mylar
Net Weight	219g

MAGNET

Materials:	Ferrite
Size:	Ø 55 x 22 x 8 mm

TEST CONDITION

Operation Test	11.3V Sine Wave
Buzzes & Rattles	11.3V Sine Wave Peak
Heat Test	55±2°C 48hrs
Cold Test	-25±2°C 48hrs
Humidity Test	40±2°C R.H.90-95% 48hrs
Load Test	Pink Noise 8W 48hrs
Distortion	-



WING CHEONG ELECTRICAL CO., LTD.

Room 1314, Block A, Hoi Luen Ind. Ctr.
55 Hoi Yuen Road, Kwun Tong,
Kowloon, Hong Kong
Tel: (852) 3465 7633 Fax: (852) 2385 6988
Website: www.wingcheong.com
Email: sales@wingcheong.com

© 2014 Wing Cheong Electrical Company Limited. All rights reserved. All specifications and other information shown were current as of document revision and are subject to change without notice.