

## 100MM SECURITY / ALARM SPEAKER



Water resistant cone with metal frame -

Strong output from 600Hz~6kHz -

Suitable for security / alarm system -

ULC-S541-07 compliant -

### Key Specification

8Ω 5W

Ferrite magnet

Mylar cone

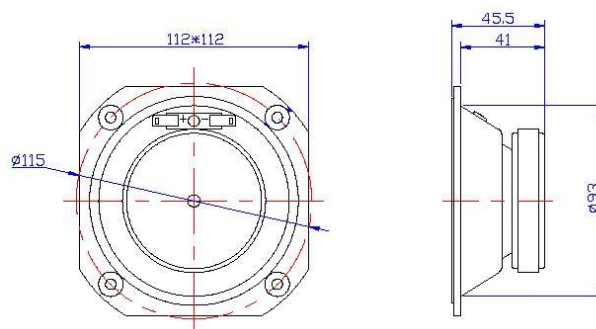
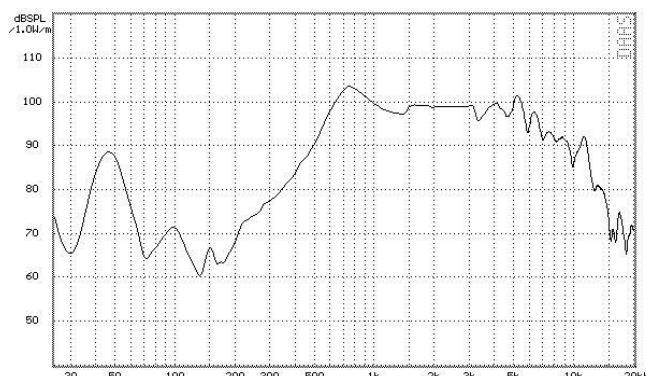
### Dimensions

112 x 112 x 45.5 mm

### Net Weight

400g

\* above photo is for reference only



### SPECIFICATIONS

Outer Size	112 x 112 mm
Maximum Height	45.5mm
V.C. Size	∅ 20.4 mm
Impedance	8Ω
Resonant Frequency	710Hz
Frequency Response	Fo - 8kHz
Output S.P.L.	98dB
Input Power	5W / Max 8W
Cone Type	Mylar
Net Weight	400g

### MAGNET

Materials:	Ferrite
Size:	∅ 70 x 32 x 10 mm

### TEST CONDITION

Operation Test	4.5V Sine Wave
Buzzes & Rattles	6.32V Sine Wave Peak
Heat Test	55±2°C 48hrs
Cold Test	-25±2°C 48hrs
Humidity Test	40±2°C R.H.90-95% 48hrs
Load Test	Pink Noise 5W 48hrs
Distortion	-

WING CHEONG ELECTRICAL CO., LTD.

Room 1314, Block A, Hoi Luen Ind. Ctr.  
55 Hoi Yuen Road, Kwun Tong,  
Kowloon, Hong Kong  
Tel: (852) 3465 7633 Fax: (852) 2385 6988  
Website: www.wingcheong.com  
Email: sales@wingcheong.com

© 2014 Wing Cheong Electrical Company Limited. All rights reserved. All specifications and other information shown were current as of document revision and are subject to change without notice.