

## 100MM SECURITY SPEAKER



Water resistant cone with metal frame -

Strong output from 500Hz~6kHz -

Suitable for security / alarm system -

Strong resistant to corrosion -

ULC-S541-07 compliant -

### Key Specification

8Ω 5W

Ferrite magnet

Mylar cone

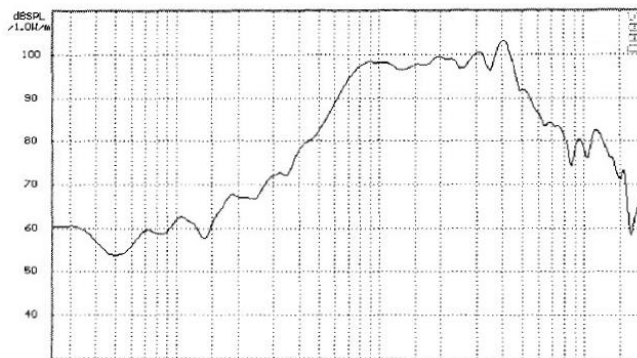
### Dimensions

102 x 102 x 43.5 mm

### Net Weight

513g

\* above photo is for reference only



### SPECIFICATIONS

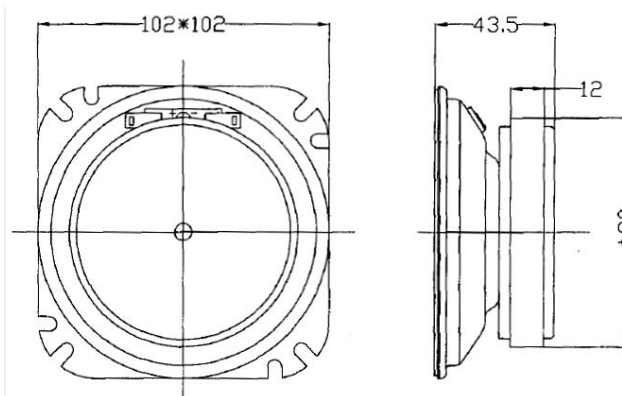
Outer Size	102 x 102 mm
Maximum Height	43.5mm
V.C. Size	∅ 20.4mm
Impedance	8Ω
Resonant Frequency	850Hz
Frequency Response	Fo - 5kHz
Output S.P.L.	100dB
Input Power	5W / Max 8W
Cone Type	Mylar
Net Weight	513g

### MAGNET

Materials:	Ferrite
Size:	∅ 80 x 40 x 12 mm

### TEST CONDITION

Operation Test	6.3V Sine Wave
Buzzes & Rattles	6.3V Sine Wave Peak
Heat Test	55±2°C 48hrs
Cold Test	-25±2°C 48hrs
Humidity Test	40±2°C R.H.90-95% 48hrs
Load Test	White Noise 5W 48hrs
Distortion	-



WING CHEONG ELECTRICAL CO., LTD.

Room 1314, Block A, Hoi Luen Ind. Ctr.  
55 Hoi Yuen Road, Kwun Tong,  
Kowloon, Hong Kong  
Tel: (852) 3465 7633 Fax: (852) 2385 6988  
Website: www.wingcheong.com  
Email: sales@wingcheong.com

© 2014 Wing Cheong Electrical Company Limited. All rights reserved. All specifications and other information shown were current as of document revision and are subject to change without notice.