

100MM SECURITY SPEAKER

Water resistant cone with metal frame -

Full range speaker (50Hz to 20kHz) -

Suitable for security / alarm / audio system -

Strong resistant to corrosion -

With protective grill cover-



* above photo is for reference only

Key Specification

4Ω 10W

Ferrite magnet

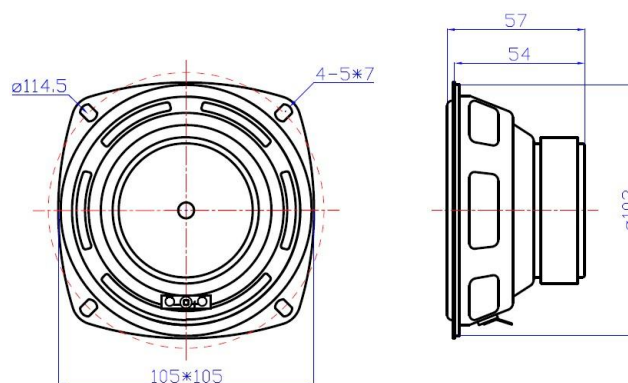
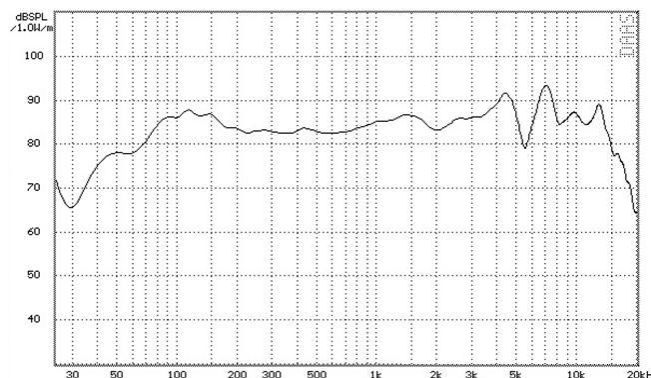
Mylar cone

Dimensions

102 x 102 x 70 mm

Net Weight

463g



SPECIFICATIONS

Outer Size	102 x 102 mm
Maximum Height	70mm
V.C. Size	∅ 13.28mm
Impedance	4Ω
Resonant Frequency	90Hz
Frequency Response	Fo - 15kHz
Output S.P.L.	83dB
Input Power	10W / Max 15W
Cone Type	Mylar
Net Weight	463g

MAGNET

Materials:	Ferrite
Size:	∅ 60 x 32 x 15 mm

TEST CONDITION

Operation Test	4.5V Sine Wave
Buzzes & Rattles	6.3V Sine Wave Peak
Heat Test	55±2°C 48hrs
Cold Test	-25±2°C 48hrs
Humidity Test	40±2°C R.H.90-95% 48hrs
Load Test	Pink Noise 10W 48hrs
Distortion	-

WING CHEONG ELECTRICAL CO., LTD.

Room 1314, Block A, Hoi Luen Ind. Ctr.
55 Hoi Yuen Road, Kwun Tong,
Kowloon, Hong Kong
Tel: (852) 3465 7633 Fax: (852) 2385 6988
Website: www.wingcheong.com
Email: sales@wingcheong.com

© 2014 Wing Cheong Electrical Company Limited. All rights reserved. All specifications and other information shown were current as of document revision and are subject to change without notice.