

100MM SECURITY SPEAKER



Water resistant cone with metal frame -

Full range speaker (50Hz to 20kHz) -

Suitable for security / alarm / audio system -

Most popular design with competitive price -

Key Specification

8Ω 10W

Ferrite magnet

Mylar cone

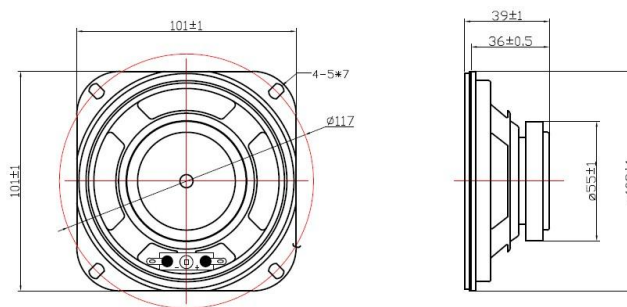
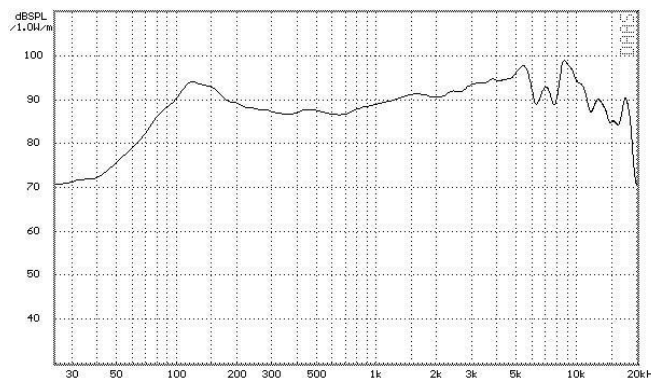
Dimensions

102 x 102 x 39 mm

Net Weight

202g

* above photo is for reference only



SPECIFICATIONS

Outer Size	102 x 102 mm
Maximum Height	39mm
V.C. Size	-
Impedance	8Ω
Resonant Frequency	110Hz
Frequency Response	Fo - 20kHz
Output S.P.L.	88dB
Input Power	10W / Max 15W
Cone Type	Paper
Net Weight	202g

MAGNET

Materials:	Ferrite
Size:	∅ 55 x 25 x 8 mm

TEST CONDITION

Operation Test	6.3V Sine Wave
Buzzes & Rattles	8.9V Sine Wave Peak
Heat Test	55±2°C 48hrs
Cold Test	-25±2°C 48hrs
Humidity Test	40±2°C R.H.90-95% 48hrs
Load Test	White Noise 10W 48hrs
Distortion	-

WING CHEONG ELECTRICAL CO., LTD.

Room 1314, Block A, Hoi Luen Ind. Ctr.
55 Hoi Yuen Road, Kwun Tong,
Kowloon, Hong Kong
Tel: (852) 3465 7633 Fax: (852) 2385 6988
Website: www.wingcheong.com
Email: sales@wingcheong.com

© 2014 Wing Cheong Electrical Company Limited. All rights reserved. All specifications and other information shown were current as of document revision and are subject to change without notice.