

## 100MM SECURITY SPEAKER



- Paper cone with metal frame -*
- Full range speaker (50Hz to 15kHz) -*
- Suitable for security / alarm system -*
- Cost effective -*

### Key Specification

8Ω 10W  
FERRITE magnet  
Paper cone

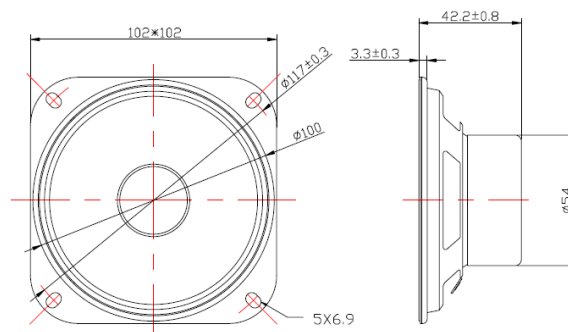
### Dimensions

102 x 102 x 42.2  
mm

### Net Weight

233g

\* above photo is for reference only



### SPECIFICATIONS

Outer Size	102 x 102 x 42.2mm
Maximum Height	42.2mm
V.C. Size	∅100mm
Impedance	8Ω
Resonant Frequency	1000Hz
Frequency Response	160Hz
Output S.P.L.	90dB
Input Power	10 W / Max 20 W
Cone Type	Paper
Net Weight	233g

### MAGNET

Materials:	FERRITE
Size:	∅45.0 mm

### TEST CONDITION

Operation Test	6.3V Sine Wave (PEAK)
Buzzes & Rattles	8.9V Sine Wave Peak
Heat Test	55±2°C 48hrs
Cold Test	-25±2°C 48hrs
Humidity Test	40±2°C R.H.90-95% 48hrs
Load Test	Pink Noise 10W 48hrs
Distortion	10% Max

WING CHEONG ELECTRICAL CO.,  
LTD.

Room 1314, Block A, Hoi Luen Ind. Ctr.  
55 Hoi Yuen Road, Kwun Tong,  
Kowloon, Hong Kong  
Tel: (852) 3465 7633 Fax: (852) 2385  
6988

Website: [www.wingcheong.com](http://www.wingcheong.com)  
Email: [sales@wingcheong.com](mailto:sales@wingcheong.com)

© 2014 Wing Cheong Electrical Company Limited. All rights reserved. All specifications and other information shown were current as of document revision and are subject to change without notice.

**WCE**  
**acoustics™**