

WC12658R01V

126 x 58 MM MULTIMEDIA SPEAKER



Paper cone with metal frame -

Full range audio speaker -

Suitable for multimedia devices -

Standard mounting hole -

Key Specification

4Ω 5W

NdFeB magnet

Paper cone

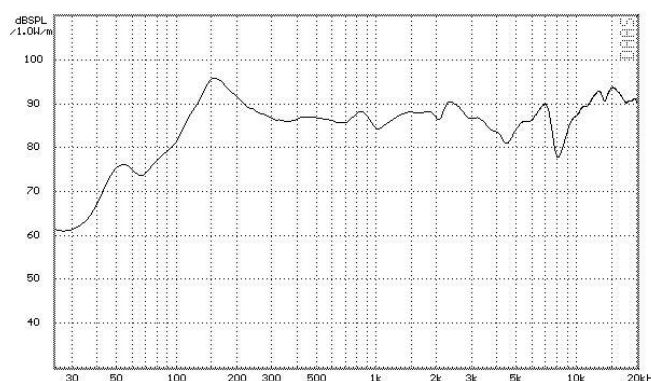
Dimensions

126 x 58 x 43 mm

Net Weight

142g

* above photo is for reference only



SPECIFICATIONS

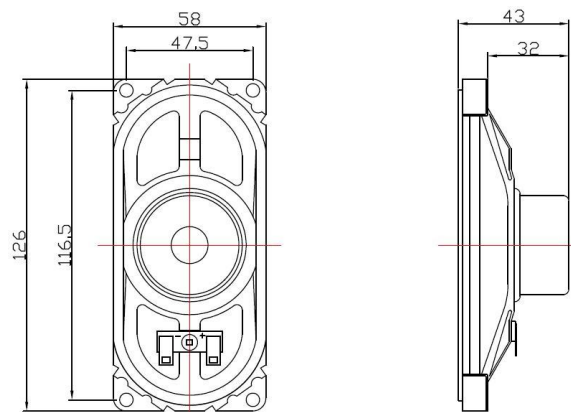
Outer Size	126 x 58 mm
Maximum Height	43mm
V.C. Size	-
Impedance	4Ω
Resonant Frequency	160Hz
Frequency Response	Fo - 20kHz
Output S.P.L.	85dB
Input Power	5W / Max 10W
Cone Type	Paper
Net Weight	142g

MAGNET

Materials:	NdFeB
Size:	∅ 32 x 18 x 5 mm

TEST CONDITION

Operation Test	3.16V Sine Wave
Buzzes & Rattles	4.47V Sine Wave Peak
Heat Test	55±2°C 48hrs
Cold Test	-25±2°C 48hrs
Humidity Test	40±2°C R.H.90-95% 48hrs
Load Test	White Noise 5W 48hrs
Distortion	-



WING CHEONG ELECTRICAL CO., LTD.

Room 1314, Block A, Hoi Luen Ind. Ctr.
55 Hoi Yuen Road, Kwun Tong,
Kowloon, Hong Kong
Tel: (852) 3465 7633 Fax: (852) 2385 6988
Website: www.wingcheong.com
Email: sales@wingcheong.com

© 2014 Wing Cheong Electrical Company Limited. All rights reserved. All specifications and other information shown were current as of document revision and are subject to change without notice.