

200MM SECURITY SPEAKER



Paper cone with metal frame -

Full range speaker (50Hz to 15kHz) -

Suitable for security / alarm system -

UL1480 compliant -

Key Specification

8Ω 10W

Ferrite magnet

Paper cone

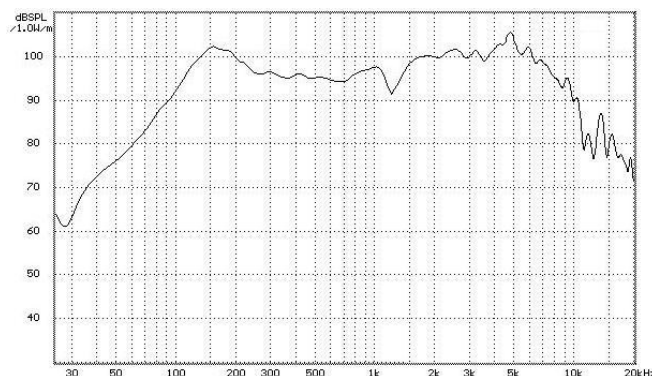
Dimensions

Ø 205 x 73 mm

Net Weight

802g

** above photo is for reference only*



SPECIFICATIONS

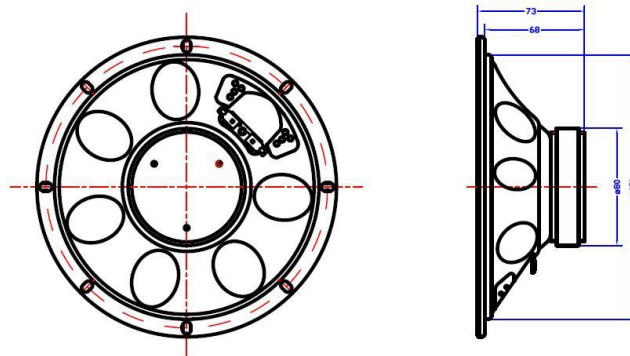
Outer Size	Ø 205mm
Maximum Height	73mm
V.C. Size	Ø 20.4mm
Impedance	8Ω
Resonant Frequency	175Hz
Frequency Response	Fo - 10kHz
Output S.P.L.	97dB
Input Power	10W / Max 15W
Cone Type	Paper
Net Weight	802g

MAGNET

Materials:	Ferrite
Size:	Ø 80 x 40 x 15 mm

TEST CONDITION

Operation Test	8.94V Sine Wave
Buzzes & Rattles	8.94V Sine Wave Peak
Heat Test	70±2°C 48hrs
Cold Test	-25±2°C 48hrs
Humidity Test	40±2°C R.H.90-95% 48hrs
Load Test	Pink Noise 10W 48hrs
Distortion	-



WING CHEONG ELECTRICAL CO., LTD.

Room 1314, Block A, Hoi Luen Ind. Ctr.
55 Hoi Yuen Road, Kwun Tong,
Kowloon, Hong Kong
Tel: (852) 3465 7633 Fax: (852) 2385 6988
Website: www.wingcheong.com
Email: sales@wingcheong.com

© 2014 Wing Cheong Electrical Company Limited. All rights reserved. All specifications and other information shown were current as of document revision and are subject to change without notice.