

200MM SECURITY SPEAKER



Whizzer cone with metal frame -
 Full range speaker (100Hz to 10kHz) -
 Suitable for security / alarm system -
 EN54-24 compliant -

Key Specification

8Ω 10W
 Ferrite magnet
 Whizzer cone

Dimensions

Ø 205 x 64 mm

Net Weight

509g

* above photo is for reference only



SPECIFICATIONS

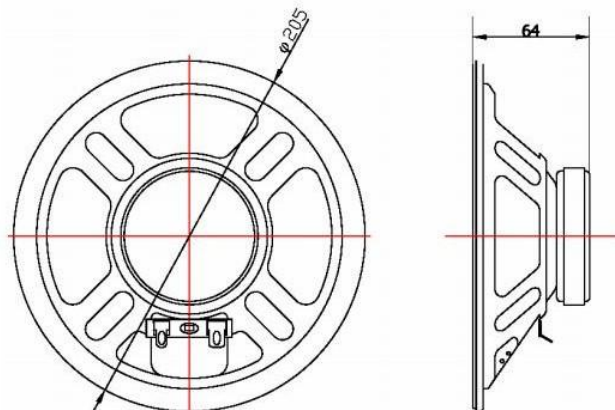
Outer Size	Ø 205mm
Maximum Height	64mm
V.C. Size	Ø 25.4 mm
Impedance	8Ω
Resonant Frequency	140Hz
Frequency Response	Fo - 10kHz
Output S.P.L.	91dB
Input Power	10W / Max 15W
Cone Type	Whizzer
Net Weight	509g

MAGNET

Materials:	Ferrite
Size:	Ø 70 x 32 x 10 mm

TEST CONDITION

Operation Test	8.94V Sine Wave
Buzzes & Rattles	8.94V Sine Wave Peak
Heat Test	55±2°C 48hrs
Cold Test	-25±2°C 48hrs
Humidity Test	40±2°C R.H.90-95% 48hrs
Load Test	Pink Noise 10W 48hrs
Distortion	-



WING CHEONG ELECTRICAL CO., LTD.

Room 1314, Block A, Hoi Luen Ind. Ctr.
 55 Hoi Yuen Road, Kwun Tong,
 Kowloon, Hong Kong
 Tel: (852) 3465 7633 Fax: (852) 2385 6988
 Website: www.wingcheong.com
 Email: sales@wingcheong.com

© 2014 Wing Cheong Electrical Company Limited. All rights reserved. All specifications and other information shown were current as of document revision and are subject to change without notice.