

## 200MM SECURITY SPEAKER



- Whizzer cone with metal frame -*
- Full range speaker (20Hz to 20kHz) -*
- Suitable for security / alarm system -*
- ULC-S541-07 compliant -*

### Key Specification

8Ω 8W  
Ferrite magnet  
Whizzer cone

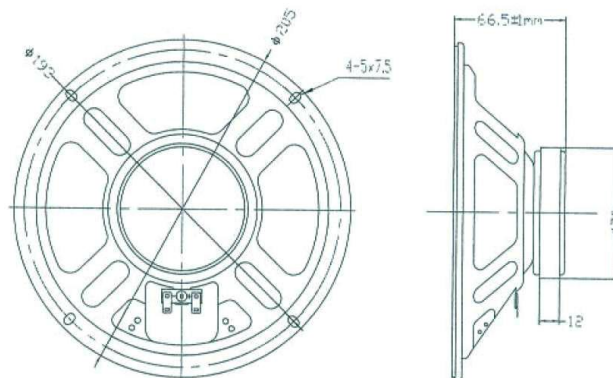
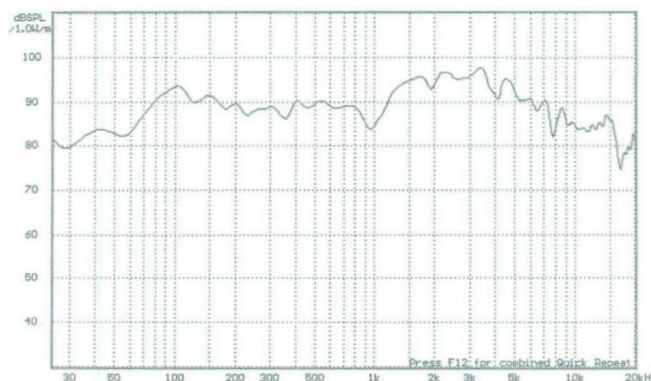
### Dimensions

Ø 205 x 60.5 mm

### Net Weight

458g

\* above photo is for reference only



### SPECIFICATIONS

Outer Size	Ø 205mm
Maximum Height	66.5mm
V.C. Size	Ø 20.4mm
Impedance	8Ω
Resonant Frequency	90Hz
Frequency Response	Fo - 18kHz
Output S.P.L.	90dB
Input Power	8W / Max 15W
Cone Type	Whizzer
Net Weight	458g

### MAGNET

Materials:	Ferrite
Size:	Ø 70 x 32 x 10 mm

### TEST CONDITION

Operation Test	8V Sine Wave
Buzzes & Rattles	8V Sine Wave Peak
Heat Test	55±2°C 48hrs
Cold Test	-25±2°C 48hrs
Humidity Test	40±2°C R.H.90-95% 48hrs
Load Test	Pink Noise 8W 48hrs
Distortion	-

WING CHEONG ELECTRICAL CO., LTD.

Room 1314, Block A, Hoi Luen Ind. Ctr.  
55 Hoi Yuen Road, Kwun Tong,  
Kowloon, Hong Kong  
Tel: (852) 3465 7633 Fax: (852) 2385 6988  
Website: www.wingcheong.com  
Email: sales@wingcheong.com

© 2014 Wing Cheong Electrical Company Limited. All rights reserved. All specifications and other information shown were current as of document revision and are subject to change without notice.