

27 x 20MM LAPTOP SPEAKER



* above photo is for reference only

Key Specification

8Ω 1.5W

NdFeB magnet

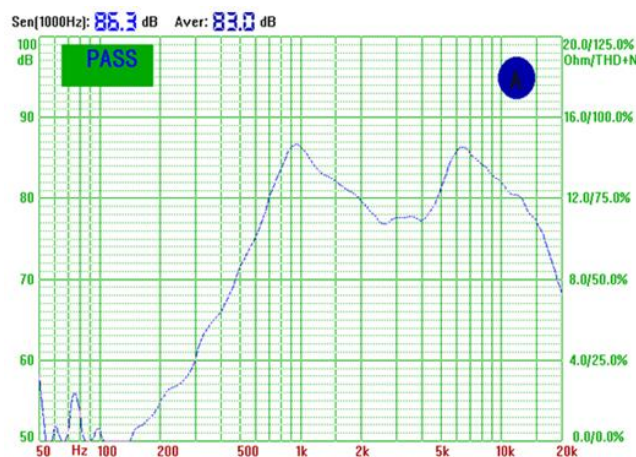
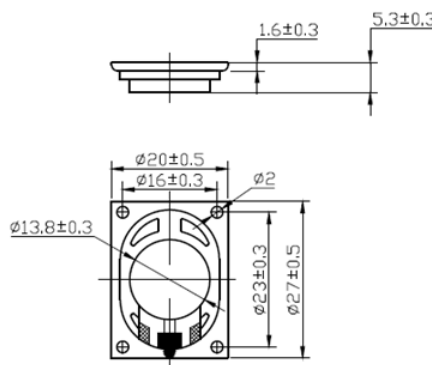
Silk & composite
paper cone

Dimensions

27 x 20 x 5.3 mm

Net Weight

5.3g



*Vivid voice & High volume -
Close to the original sound -
Enhancement on human voice
performance -
Suitable for telecom devices -*

SPECIFICATIONS

Outer Size	27 x 20 x 5.3mm
Maximum Height	5.3mm
V.C. Size	$\phi 11.7$ mm
Impedance	8Ω
Resonant Frequency	820Hz
Frequency Response	Fo - 18kHz
Output S.P.L.	83dB
Input Power	1.5 W / Max 2 W
Cone Type	Silk & Composite paper
Net Weight	5.3g

MAGNET

Materials:	NdFeB
Size:	$\phi 11.0 \times 1.7$ mm

TEST CONDITION

Operation Test	3.46V Sine Wave
Buzzes & Rattles	3.46V Sine Wave Peak
Heat Test	55±2°C 96hrs
Cold Test	-25±2°C 96hrs
Humidity Test	40±2°C R.H.90-95% 96hrs
Load Test	White Noise 10mW 48hrs
Distortion	10% Max

WING CHEONG ELECTRICAL CO., LTD.

Room 1314, Block A, Hoi Luen Ind. Ctr.
55 Hoi Yuen Road, Kwun Tong,
Kowloon, Hong Kong
Tel: (852) 3465 7633 Fax: (852) 2385 6988
Website: www.wingcheong.com
Email: sales@wingcheong.com

© 2014 Wing Cheong Electrical Company Limited. All rights reserved. All specifications and other information shown were current as of document revision and are subject to change without notice.