

35 x 20MM LAPTOP SPEAKER



* above photo is for reference only

Key Specification

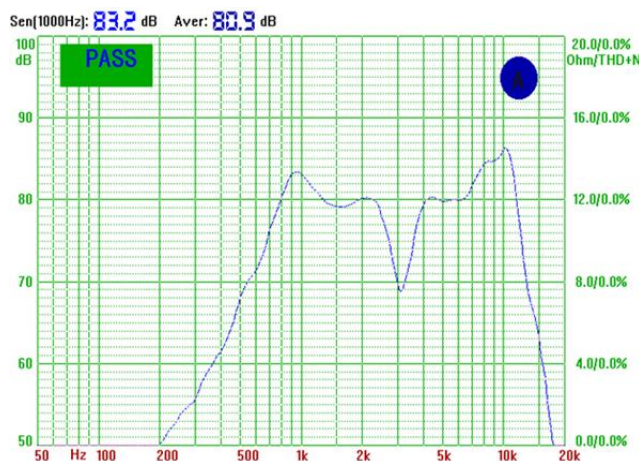
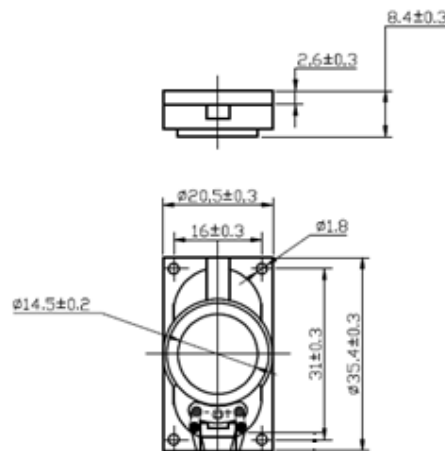
4Ω 3W
NdFeB magnet
Selvage cone

Dimensions

35 x 20 x 8.4 mm

Net Weight

7g



Vivid voice & High volume -

Close to the original sound -

Enhancement on human voice performance -

Suitable for telecom devices -

SPECIFICATIONS

Outer Size	35 x 20 x 8.4mm
Maximum Height	8.4mm
V.C. Size	∅11.7mm
Impedance	4Ω
Resonant Frequency	700Hz
Frequency Response	Fo - 3kHz
Output S.P.L.	80dB
Input Power	3 W / Max 3.5 W
Cone Type	Selvage
Net Weight	7g

MAGNET

Materials:	NdFeB
Size:	∅11.0 mm

TEST CONDITION

Operation Test	3.46V Sine Wave
Buzzes & Rattles	3.46V Sine Wave Peak
Heat Test	55±2°C 96hrs
Cold Test	-25±2°C 96hrs
Humidity Test	40±2°C R.H.90-95% 96hrs
Load Test	White Noise 3W 48hrs
Distortion	10% Max

WING CHEONG ELECTRICAL CO., LTD.
Room 1314, Block A, Hoi Luen Ind. Ctr.
55 Hoi Yuen Road, Kwun Tong,
Kowloon, Hong Kong
Tel: (852) 3465 7633 Fax: (852) 2385 6988
Website: www.wingcheong.com
Email: sales@wingcheong.com

© 2014 Wing Cheong Electrical Company Limited. All rights reserved. All specifications and other information shown were current as of document revision and are subject to change without notice.

WCE acoustics™