

# WC4020R01V

## 40 x 20 MM MULTIMEDIA SPEAKER



Paper cone with plastic frame -

Full range audio speaker -

Suitable for small multimedia devices -

Light design with competitive price -

### Key Specification

4Ω 2W

NdFeB magnet

Paper cone

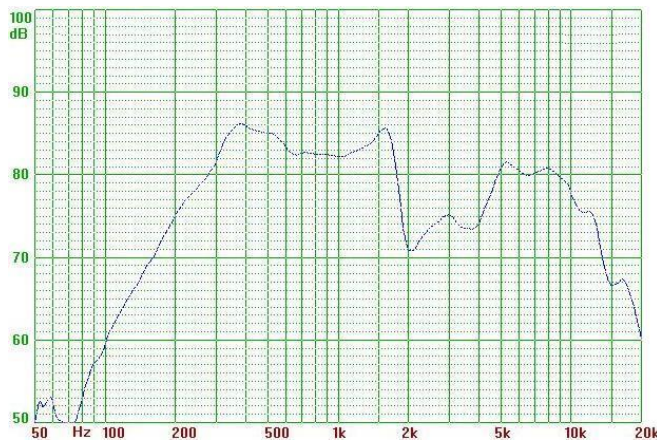
### Dimensions

40 x 20 x 8.2 mm

### Net Weight

8g

\* above photo is for reference only



### SPECIFICATIONS

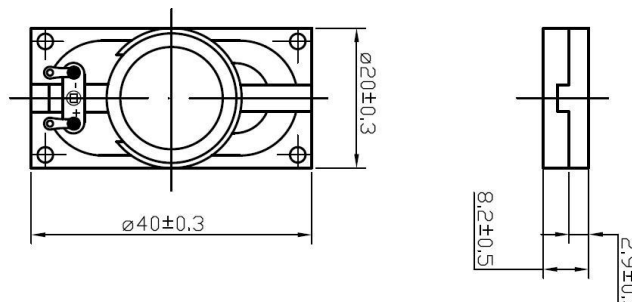
Outer Size	40 X 20 mm
Maximum Height	8.2mm
V.C. Size	-
Impedance	4Ω
Resonant Frequency	330Hz
Frequency Response	Fo - 20kHz
Output S.P.L.	88dB
Input Power	2W / Max 3W
Cone Type	Paper
Net Weight	8g

### MAGNET

Materials:	NdFeB
Size:	∅ 11 x 1.7 mm

### TEST CONDITION

Operation Test	2.83V Sine Wave
Buzzes & Rattles	2.83V Sine Wave Peak
Heat Test	55±2°C 48hrs
Cold Test	-25±2°C 48hrs
Humidity Test	40±2°C R.H.90-95% 48hrs
Load Test	White Noise 2W 48hrs
Distortion	10% Max



### WING CHEONG ELECTRICAL CO., LTD.

Room 1314, Block A, Hoi Luen Ind. Ctr.  
55 Hoi Yuen Road, Kwun Tong,  
Kowloon, Hong Kong  
Tel: (852) 3465 7633 Fax: (852) 2385 6988  
Website: www.wingcheong.com  
Email: sales@wingcheong.com

© 2014 Wing Cheong Electrical Company Limited. All rights reserved. All specifications and other information shown were current as of document revision and are subject to change without notice.