

WC4536R01RM-HS

45 x 36MM MULTIMEDIA SPEAKER



* above photo is for reference only

Aluminium cone with Foam edge -

Full range audio speaker -

Suitable for multimedia devices-

pleasing appearance with high power -

Key Specification

8Ω 2W

NdFeB magnet

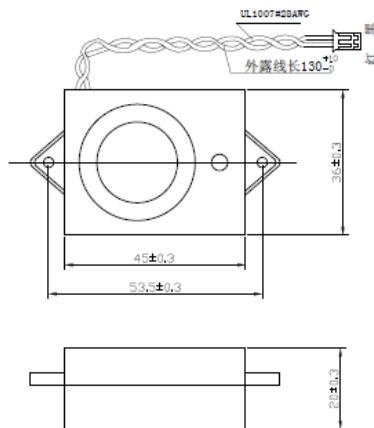
Aluminium cone with
foam edge

Dimensions

45 x 36 x 20 mm

Net Weight

43.3g

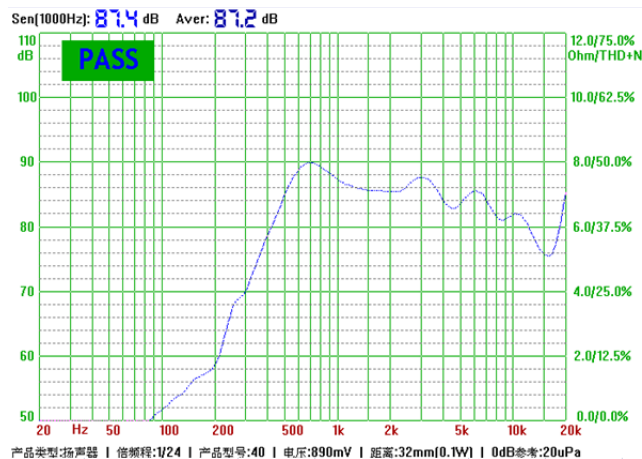


SPECIFICATIONS

Outer Size	45 x 36 mm
Maximum Height	20 mm
V.C. Size	∅19.0mm
Impedance	8Ω
Resonant Frequency	210Hz
Frequency Response	Fo - 20kHz
Output S.P.L.	87dB
Input Power	2 W / Max 4 W
Cone Type	Aluminium
Net Weight	43.3g

MAGNET

Materials:	NdFeB
Size:	∅18.5 x 4 mm



TEST CONDITION

Operation Test	4V Sine Wave
Buzzes & Rattles	4V Sine Wave Peak
Heat Test	55±2°C 96hrs
Cold Test	-25±2°C 96hrs
Humidity Test	40±2°C R.H.90-95% 96hrs
Load Test	White Noise 2W 48hrs
Distortion	10% Max

WING CHEONG ELECTRICAL CO., LTD.
Room 1314, Block A, Hoi Luen Ind. Ctr.
55 Hoi Yuen Road, Kwun Tong,
Kowloon, Hong Kong
Tel: (852) 3465 7633 Fax: (852) 2385 6988
Website: www.wingcheong.com
Email: sales@wingcheong.com

© 2014 Wing Cheong Electrical Company Limited. All rights reserved. All specifications and other information shown were current as of document revision and are subject to change without notice.

WCE
acoustics™