

81 x 23MM TELECOM SPEAKER



*Vivid voice & High volume -
Close to the original sound -
Enhancement on human voice
performance -
Suitable for laptop -*

Key Specification

4Ω 3W
NdFeB magnet
Silk cone

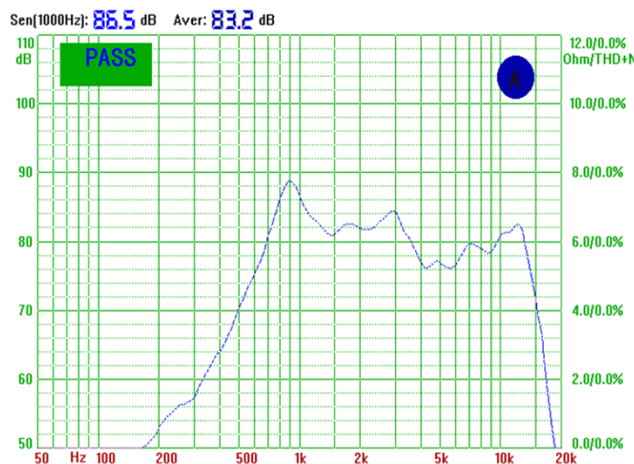
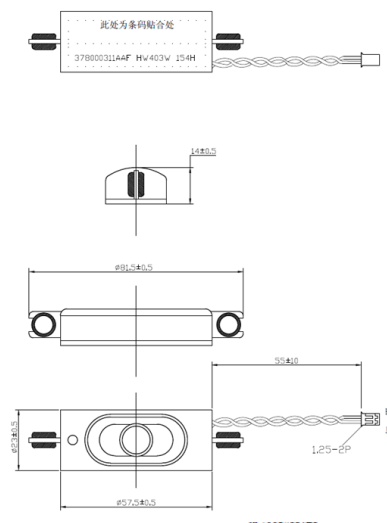
Dimensions

81 x 23 x 14 mm

Net Weight

12g

* above photo is for reference only



SPECIFICATIONS

Outer Size	81 x 23 mm
Maximum Height	14 mm
V.C. Size	∅11.7 mm
Impedance	4Ω
Resonant Frequency	750Hz
Frequency Response	Fo - 15kHz
Output S.P.L.	83dB
Input Power	3 W / Max 4 W
Cone Type	Silk
Net Weight	12g

MAGNET

Materials:	NdFeB
Size:	∅11.0 mm

TEST CONDITION

Operation Test	3.46V Sine Wave
Buzzes & Rattles	3.46V Sine Wave Peak
Heat Test	55±2°C 96hrs
Cold Test	-25±2°C 96hrs
Humidity Test	40±2°C R.H.90-95% 96hrs
Load Test	White Noise 3W 48hrs
Distortion	10% Max