

WC9050R01V

90 x 50 MM MULTIMEDIA SPEAKER



Paper cone with plastic frame -

Full range audio speaker -

Suitable for small multimedia devices -

With magnetic shield included -

Key Specification

8Ω 5W

NdFeB magnet

Paper cone

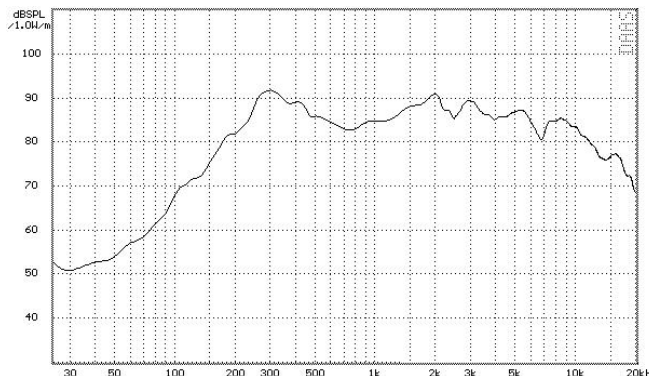
Dimensions

90 x 50 x 38 mm

Net Weight

128g

* above photo is for reference only



SPECIFICATIONS

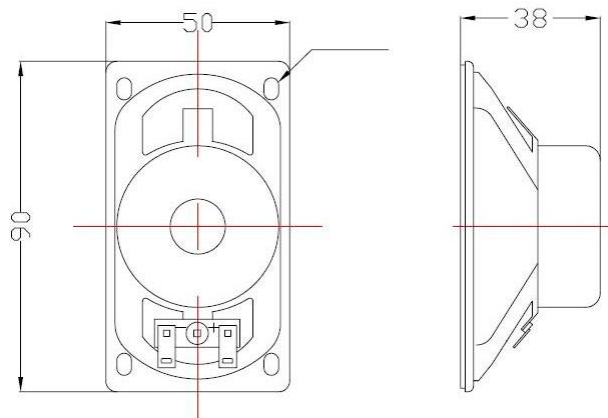
Outer Size	90 x 50 mm
Maximum Height	38mm
V.C. Size	∅ 14.28mm
Impedance	8Ω
Resonant Frequency	300Hz
Frequency Response	Fo - 18kHz
Output S.P.L.	85dB
Input Power	5W / Max 10W
Cone Type	CPVC
Net Weight	128g

MAGNET

Materials:	Ferrite
Size:	∅ 32 x 18 x 6 mm

TEST CONDITION

Operation Test	6.3V Sine Wave
Buzzes & Rattles	6.3V Sine Wave Peak
Heat Test	55±2°C 48hrs
Cold Test	-25±2°C 48hrs
Humidity Test	40±2°C R.H.90-95% 48hrs
Load Test	White Noise 5W 48hrs
Distortion	-



WING CHEONG ELECTRICAL CO., LTD.

Room 1314, Block A, Hoi Luen Ind. Ctr.
55 Hoi Yuen Road, Kwun Tong,
Kowloon, Hong Kong
Tel: (852) 3465 7633 Fax: (852) 2385 6988
Website: www.wingcheong.com
Email: sales@wingcheong.com

© 2014 Wing Cheong Electrical Company Limited. All rights reserved. All specifications and other information shown were current as of document revision and are subject to change without notice.